



GRAD CONN LTD.

格瑞康實業有限公司

No. 321 Shuanglian St., Longtan Township, Taoyuan County 32557, Taiwan

TEL: +886-3-4993132 FAX: +886-3-4991561

<http://www.gradconn.com>

PRODUCT SPECIFICATION

Grad Conn Part No.:

CH03-AD

Product Description:

Sim Card Holder SMT Slide-in Type 6P or 8P

W/Fixed Half Cover

Distributed by:



www.texim-europe.com

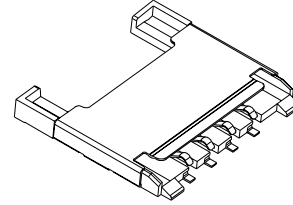
TABLE OF CONTENTS

<u>ARTICLE</u>	<u>PAGE</u>
1 INTRODUCTION.....	1
General.....	1
Features	1
Applications	1
2 TECHNICAL CHARACTERISTICS	2
2.1 General Characteristics.....	2
2.2 Electrical Characteristics.....	2
2.3 Mechanical Characteristics	2
2.4 Solderability.....	3
2.5 Environmental Characteristics.....	3
3 ORDERING CODE.....	3
4 INTERFACE	4
4.1 Signals	4
5 MECHANICAL OUTLINE DRAWING	5
5.1 Mechanical outline dimension (6 pins).....	5
5.2 Reference dimension for PCB layout (6 pins).....	5
5.3 Mechanical outline dimension (8 pins).....	6
5.4 Reference dimension for PCB layout (8 pins).....	6
APPENDIX A: PACKING INFORMATION	7
A1: Carrier Tape (Meet EIA-481 standard).....	7
APPENDIX B: SIM CARD DIMENSION (According to Standard GSM 11.11).....	8

1. INTRODUCTION

General:

The CH03-AD is an interface device for GSM 11.11 SIM card. It is designed for high performance and flexibility to give prospective customers a quick applications of the individual devices in their product series, and to facilitate selection if the device it decides that are best-suited to intended target applications.



Features:

- ◆ GSM 11.11 Standard SIM Card. ^(note)
- ◆ Ultra Slim (H = 1.90 mm)
- ◆ Compact Physical Size for Multi-Purpose Application.
- ◆ High Reliability Low-Friction Contact Extension operation Life of Contact.
- ◆ RoHS Directive 2002/95/EC Compliant.

Applications:

- ◆ Access Control Terminals.
- ◆ Terminal Identification module.
- ◆ Telecommunication.
- ◆ Palm Top Machines.
- ◆ Other Identification recognition.

Note: All trademarks mentioned herein are the property of their respective companies.

2. TECHNICAL CHARACTERISTICS

2.1 General Characteristics:

Items	Standard	Description
Dimension		14.90L x 16.30W x 1.90H mm
Weight		Approx. 0.40 g
Card size	GSM 11.11	25.0 x 15.0 x 0.76 mm
Contact principle		Friction technology
Operating position		Shaft up / Down / Horizontal
Mounting System		SMT Type (without post)
Durability		5,000 cycles min.

2.2 Electrical Characteristics: According to Standard IEC512

Items	Standard	Description
Number of contacts		6, 8 pins (optional)
Contact resistance	IEC512-2-2a	50 mΩ typical, 100 mΩ max.
Insulation resistance Pin to pin	IEC512-2-3a	> 1000 MΩ / 500 V DC
Rated voltage		< 50 V
Rated current		1 A max.
Dielectric withstanding voltage	IEC512-2-4a	500 V AC rms 1 min. (sea level)

2.3 Mechanical Characteristics:

Items	Standard	Description
Contact force	SIM Card 0.76mm	0.6N min.
Contact location	GSM 11.11	
Data Contacts		
Material		Phosphor bronze
Plating		Gold over Nickel
Insulation material		Thermoplastic, UL 94V-0
Cover material		Stainless Steel

2.4 Solderability: According to Standard IEC68

Items	Standard	Description
Wave		Not applicable
IR reflow		260°C, 10 sec. Max.
Manual soldering	IEC68-2-20	360°C, 3 sec. Max.

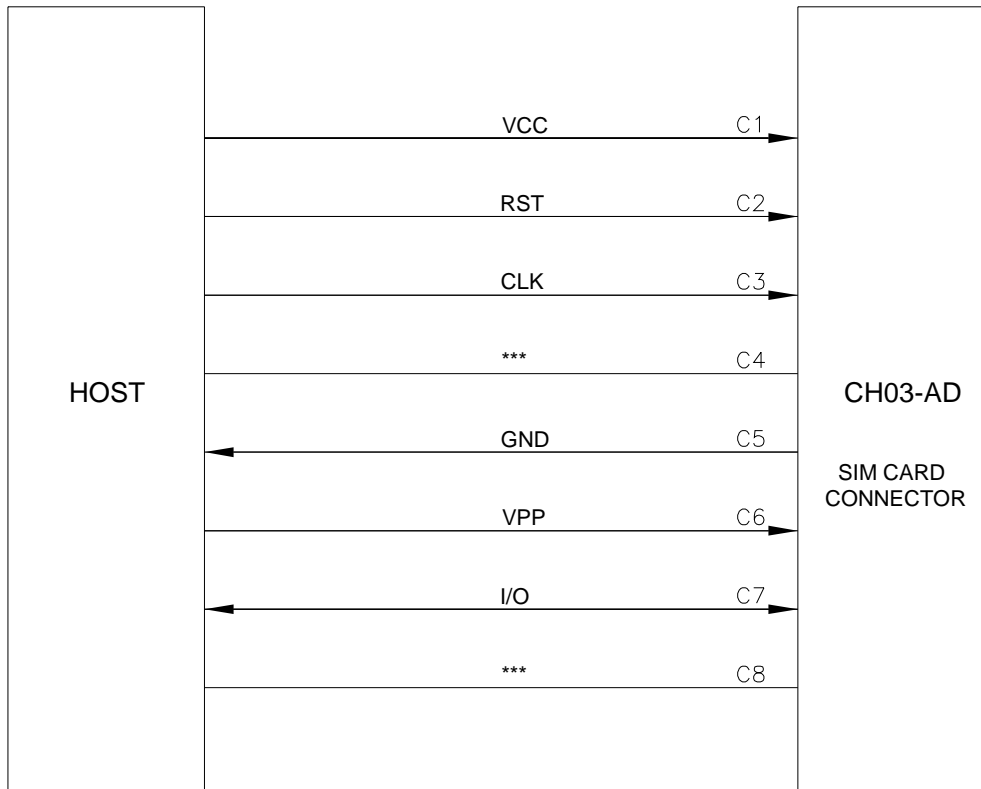
2.5 Environmental Characteristics: According to Standard IEC68

Items	Standard	Description
Operating temperature		- 40°C ~ + 85°C
Operating humidity		10 % ~ 95 % RH
Storage temperature		- 40°C ~ + 85°C
Storage humidity		10 % ~ 95 % RH

3. ORDERING CODE

Part Number	Number of Contacts	PCB Locating Pegs (Post)	Switch
CH03-AD060-BBR	6	No	No
CH03-AD080-BBR	8	No	No

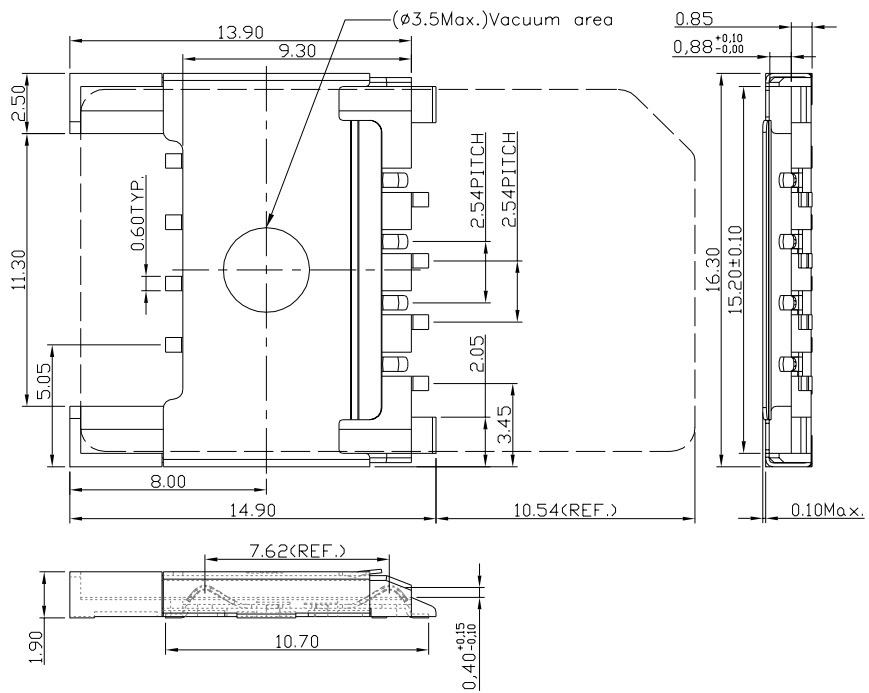
4. INTERFACE



4.1 Signals

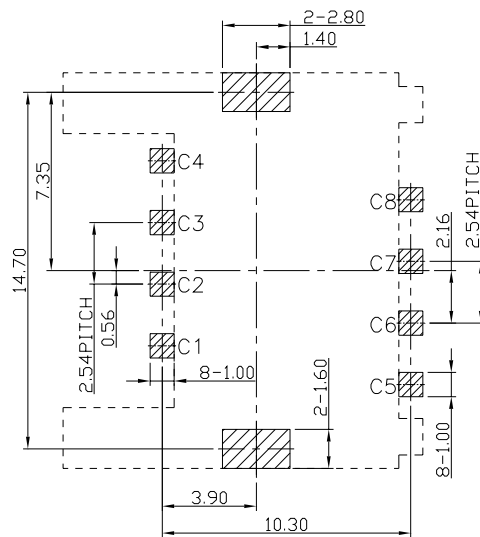
Signal interface connections for CH03-AD are shown below.

Contact No.	Assignment	Description	Remark
C1	VCC	Power Voltage	
C2	RST	Reset Signal	
C3	CLK	Clocking Signal	
C4	***	Reserved for feature use	
C5	GND	Power and Signal Ground	
C6	VPP	Programming Voltage	
C7	I/O	Serial Data input/output	
C8	***	Reserved for feature use	



Unit: mm; Tolerances: ±0.15 mm

Figure 5.3 Mechanical outline dimension (8 pins)

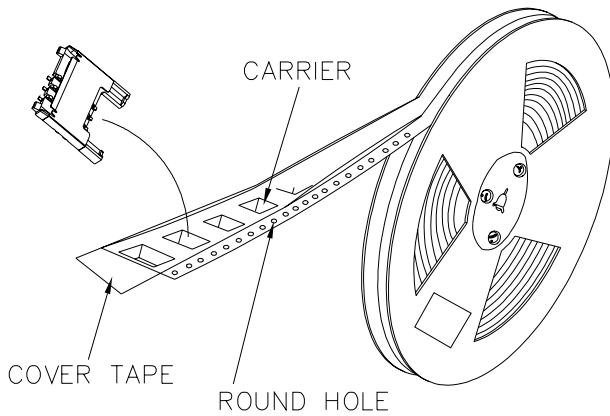


Unit: mm; Tolerances: ±0.05 mm

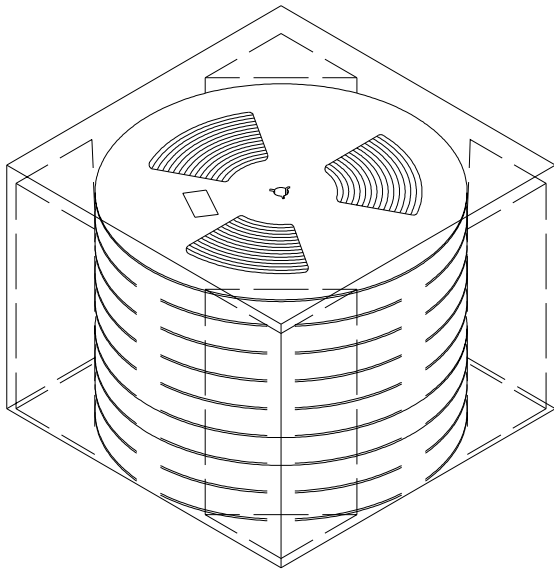
Figure 5.4 Reference dimension for PCB layout (8 pins)

APPENDIX A: PACKING INFORMATION

A1: Carrier Tape (Meet EIA-481 Standard)



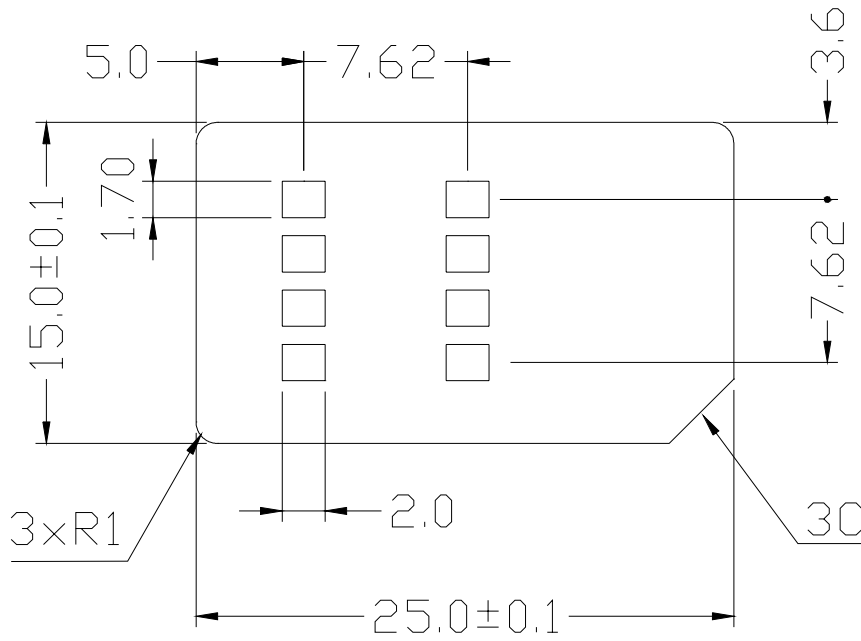
N.W.: 0.40 KGS
G.W.: 0.95 KGS
Q'TY: 1000 PCs per reel
Meas.: dia. 33 CM, W 2.4 CM



N.W.: 9.50 KGS
G.W.: 10.7 KGS
Q'TY: 10,000 PCs per carton
(10 reels set in order)
Meas.: 35.0L x 35.0W x 32.5H CM

APPENDIX B: SIM CARD DIMENSION (According to Standard GSM 11.11)

Dimensions in millimeters (mm)



Thickness: 0.76 ± 0.08 mm
