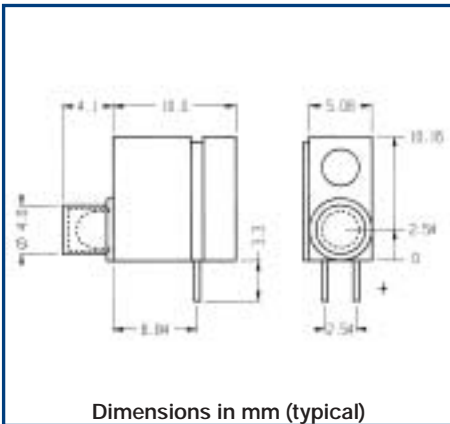


SERIES KDE 31-15KV

Ø 3 mm LED

TYPE	EMITTED COLOUR	LUMINOUS INTENSITY		FULL VIEWING ANGLE	FORWARD VOLTAGE (IF = 20 mA)		OPERATING TEMPERATURE	FORWARD CURRENT	
		PEAK	TYP.		IF	TYP.			MAX
KDE 31-15KV - R	RED	700	5	10	120	2,0	- 55 to + 100	25	
KDE 31-15KV - Y	YELLOW	590	12,5	10	120	2,1		30	
KDE 31-15KV - G	GREEN	565	12,5	10	120	2,2		25	
KDE 31-15KV - S	SUPER RED	625	20	10	120	2,0		30	
KDE 31-15KV - B	RED/GREEN	625/565	12,5	20	100	2,0		25	
KDE 31-15KV - I	IAPER RED	660	100	20	120	1,85		30	
LOW CURRENT									
KDE 31-15KV - RL	RED	625	2	2	120	1,8	- 55 to + 100	7,5	
KDE 31-15KV - YL	YELLOW	590	2	2	120	1,9		7,5	
KDE 31-15KV - GL	GREEN	565	2	2	120	1,9		7,5	
KDE 31-15KV - IL	IAPER RED	660	20	2	120	1,85		7,5	
QUALITY TESTED 100%	DIFFUSED	nm	mcd	mA	DEGREE°	V	V	°C	mA



Dimensions in mm (typical)